

# S/C-Band Stub Antenna S65-5366-32S

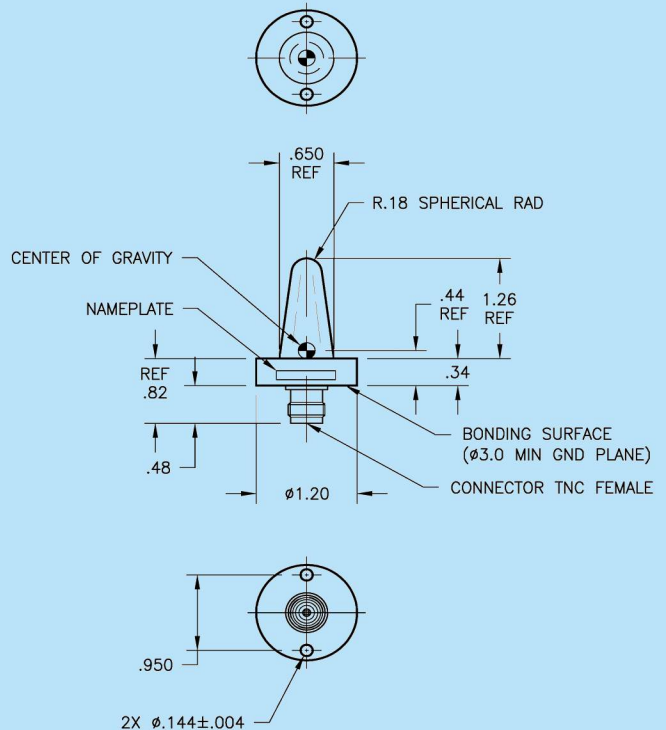


## DESCRIPTION

**S65-5366-32S:** Small stub antenna designed for in-cabin Wireless LAN applications operating at dual frequencies 2.4 to 2.5 GHz and 5.1 to 5.9 GHz. At less than 2 inches tall, the antenna is ideal for many installations where size constraints are an issue. Manufactured from 6061-T6 aluminum alloy with a Teflon radome, the antenna is extremely rugged. The base has two mounting holes for 6-32 screws and features a TNC connector.

**FEDERAL & MILITARY SPECS:** MIL-E-5400, MIL-E-5272, DO-160D.

SPECIFICATIONS		
<b>MODEL</b>	<b>S65-5366-32S</b>	
<b>ELECTRICAL</b>		
<b>Frequency</b>	2400-2500 MHz	5100-5900 MHz
<b>VSWR</b>	≤2.0:1	≤2.2:1
<b>Pattern</b>	Omnidirectional	
<b>Polarization</b>	Vertical	
<b>Impedance</b>	50 Ohms	
<b>Power</b>	50 Watts Continuous	
<b>Lightning Protection</b>	DC Grounded	
<b>MECHANICAL</b>		
<b>Weight</b>	2.0 oz	
<b>Material</b>	Aluminum Alloy 6061-T6 / Teflon Radome	
<b>Finish</b>	Iridite / Natural Teflon	
<b>Connector</b>	TNC Female	
<b>ENVIRONMENTAL</b>		
<b>Temperature</b>	-62°C (-80°F) to +95°C (+203°F)	
<b>Altitude</b>	55,000 ft.	



**Note: For Reference Only.**  
Contact Sensor Systems for the latest engineering drawings.

